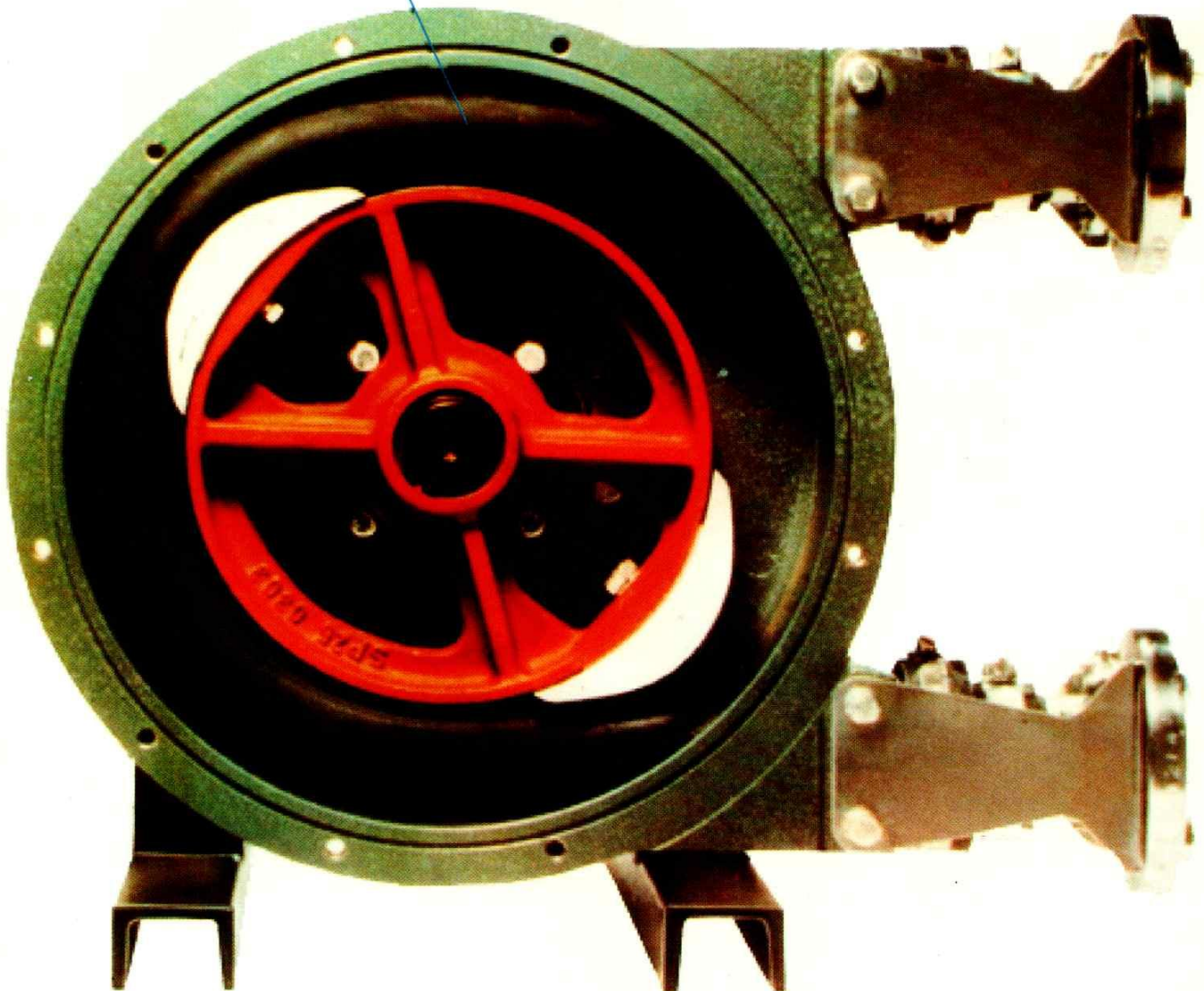


HOSE PUMP

abrasion resistant/self-priming/ up to 15 bar (kg/cm²)

UNIQUE REINFORCED HOSE



How to use the curves

1. Flow required indicates pump speed
2. Calculated discharge pressure
3. Net motor power required
4. Product temperature
5. Calculated discharge pressure
6. Maximum recommended pump speed

- Continuous Duty
- Intermittent Duty (maximum 2 hours of operation followed by a minimum 1 hour stop)

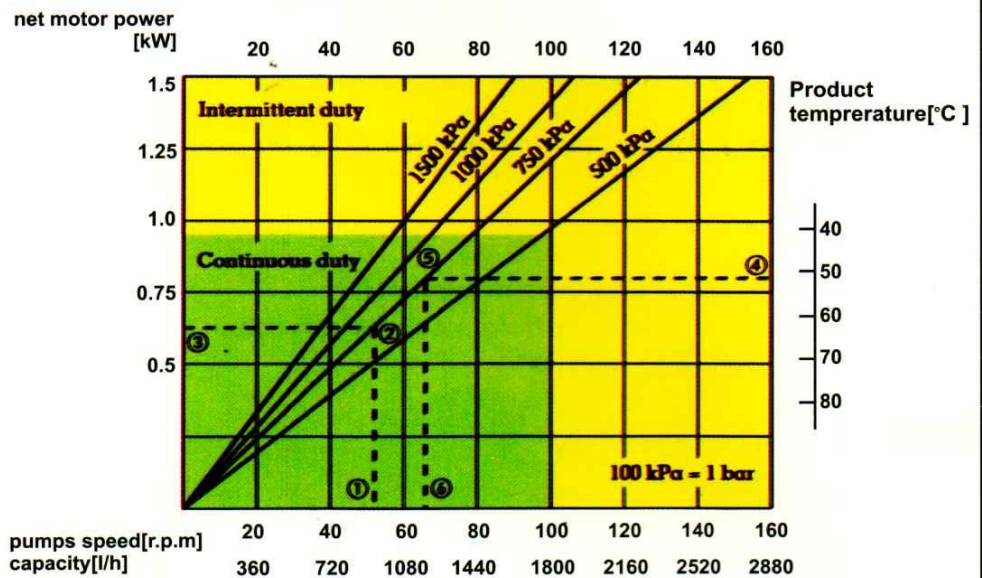
TYPE SP/25

Inner diameter pump hose 25 (mm)

Minimum starting torque 115 (Nm)

Capacity per revolution 0.3 (l)

Maximum discharge pressure 1500 (kPa) (15 bar/220 psi)



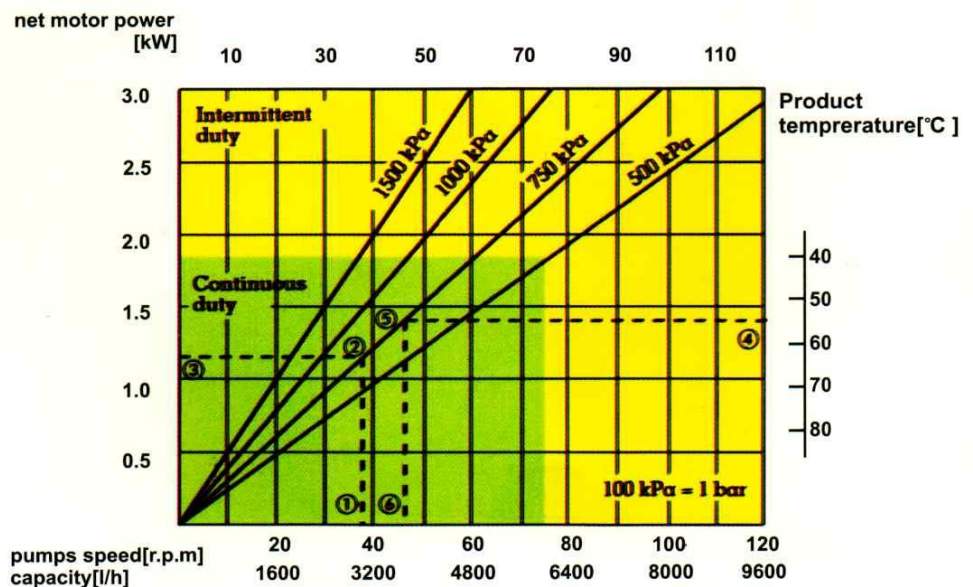
TYPE SP/40

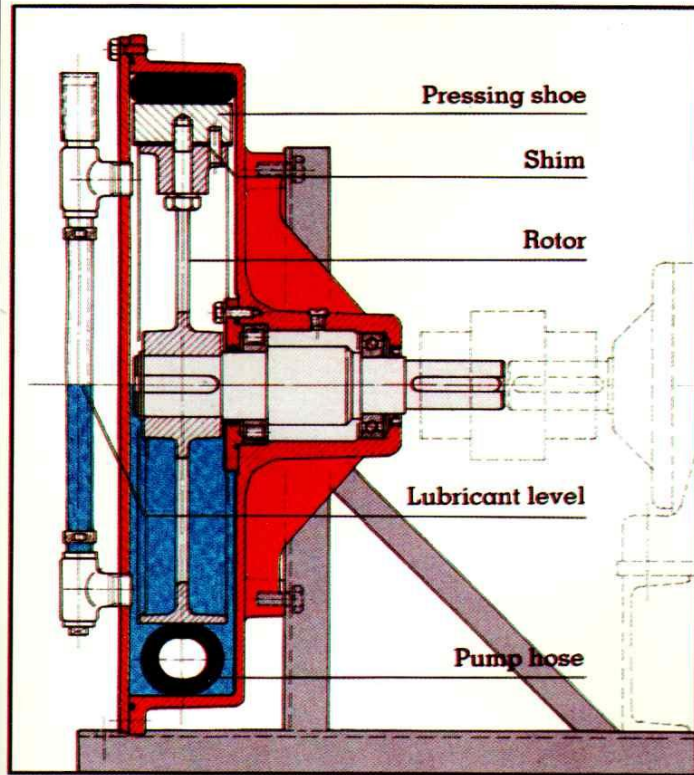
Inner diameter pump hose 40 (mm)

Minimum starting torque 320 (Nm)

Capacity per revolution 1.33

Maximum discharge pressure 1500 (kPa) (15 bar/220 psi)

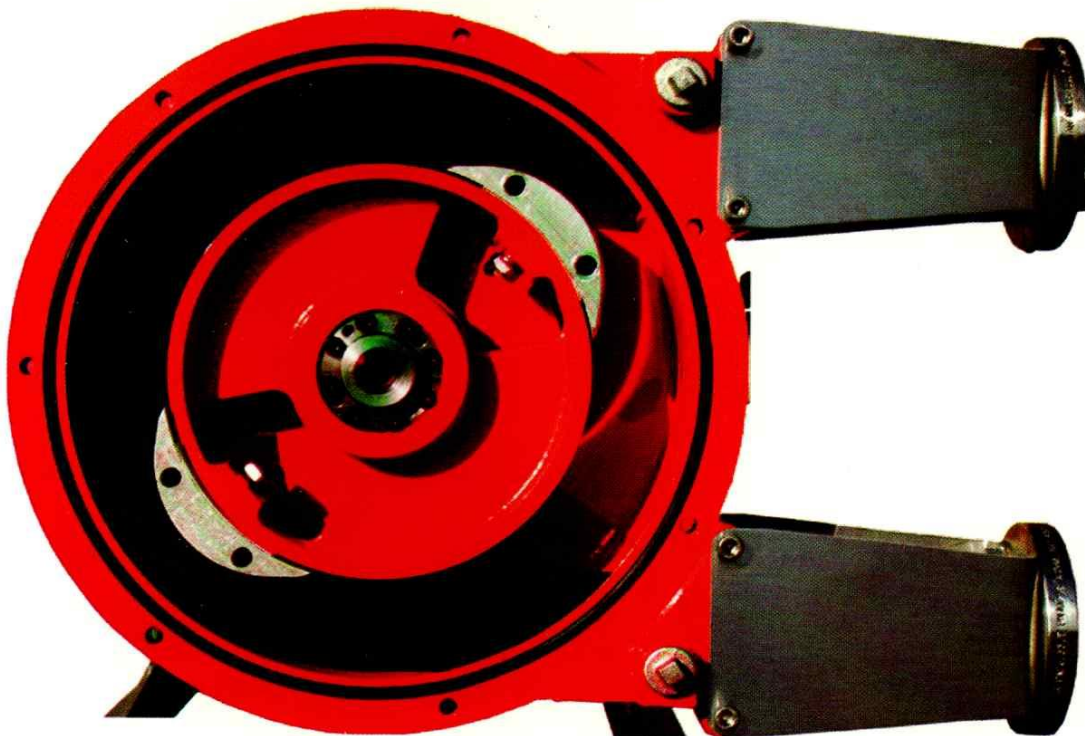




TECHNICAL FEATURES

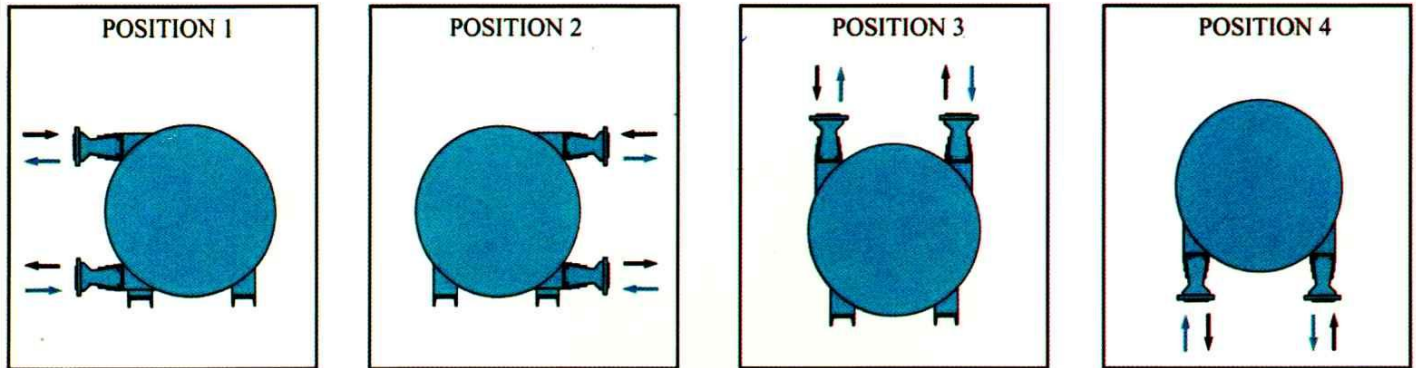
- Fluids are subjected to gentle treatment suitable for abrasive materials & corrosive liquids, for viscous & fibrous fluids.
- Designed and built for counter pressure upto 15 bar (kg/cm²) i.e. 220 p.s.i.g.
- Self-priming to 10 m water column.
- Can run dry, i.e. can pump without fluid continuously.
- Safe for use in explosive environments.
- The material to be pumped does not contact mechanical parts or seals.
- Very easy to clean: smooth liquid passage without valves, dead corner or glands.
- The hose pump is also a very precise metering and vacuum pump.
- Permanently lubricated by specially compounded lubricant in pump housing, filled for one half.
- Sliding-shoes are adjustable by shims.
- Replacement of hose without dismantling pump.
- Sealed for life heavy duty bearings.

Pennwalt PLH Series Hose Pump Model PLH 50 to PLH 125 for capacity above 5m³/hr upto 60m³/hr



Mounting Positions

HORIZONTAL POSITION IS ALSO POSSIBLE 2 DIRECTIONS OF ROTATION



ABRASION RESISTANCE

The inner wall of the hose is compressed without internal friction. Abrasive particles are cushioned in the thick soft inner wall of the hose. After compression the abrasive particles return freely into the flow of fluid without damaging the hose wall. The pumping action is transferred to the hose by the radial motion of smooth sliding shoes in lubricant bath without contact with the fluid to be pumped.

TYPICAL APPLICATIONS

- Chemical: Corrosive acids and bases
- Water and Waste Treatment: Lime, sodium hypochlorite, ferric chloride sludges
- Paint & pigments, Dispersion mill feed and latex transfer
- Pulp and Paper: dyes, sizing agents, retention aids and titanium dioxide
- Mining: tailing slurries, sludges and reagents
- Ceramics and glass: fine china, brick and tiles
- Construction: cement, coatings, spray concrete, colorants and aggregate
- Printing and packaging: varnishes, inks, coatings and adhesives
- Food and beverage: wine, brewery, dairy, bakery, flavours and additives & CIP applications
- Textiles: Viscous & fibrous fluids, fibers, dyes and acids



Registered Office:
PENNWALT LIMITED
D-221, M.I.D.C., T.T.C. Industrial Area,
Thane-Belapur Road, Nerul,
Navi Mumbai- 400706.

Tel.: +91 22 61471600,
Fax: +91-22-27632560

Email: ashish@pennwalt.co.in / sales@pennwalt.com
Website: <http://www.pennwalt.com>